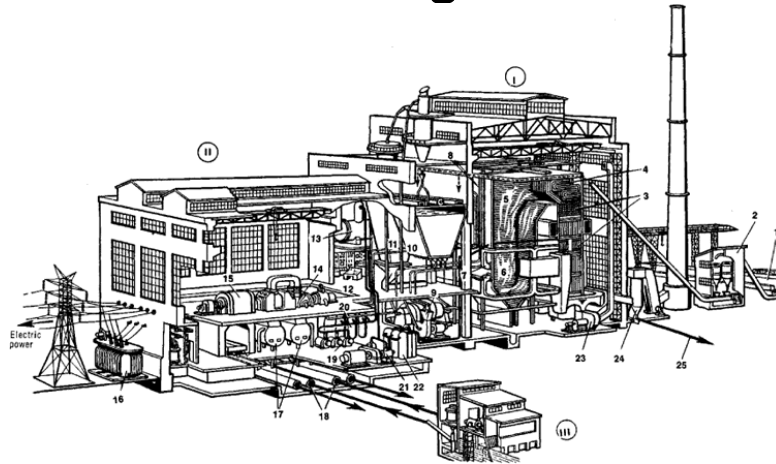


TOXC 226: Industrial Boilers

Online Agenda



- 8:30 Introductions, Course Overview, Boiler Uses
- 9:15 Terminology and Boiler Types
- 9:30 Theory and Operation of Boilers
- 10:00 Break
- 10:10 Boiler Components and Designs
- 11:00 Emissions and Control Techniques
- 12:00 Lunch
- 1:00 Boiler Regulations and Permits
- 2:00 Break
- 2:10 Monitoring, Source Testing, Inspections, and Safety
- 4:00 Adjourn

April 2026